



ThermalBuck™

TECHNICAL DATA SHEET

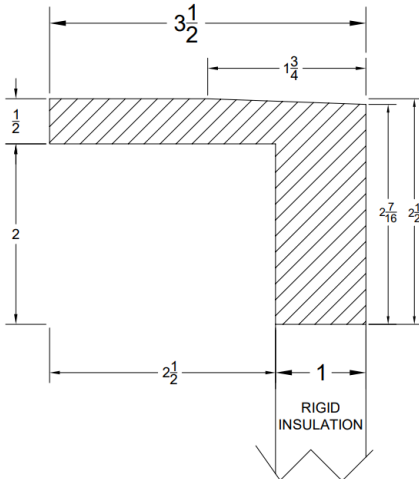
Rough Opening Preparation & Product Dimensions

- Allow 1/2" additional room on all sides of the rough opening (1" overall) than recommended by window manufacturers' instructions to accommodate the 1/2" tongue of ThermalBuck™.
- Consider continuous insulation and/or rainscreen depth.

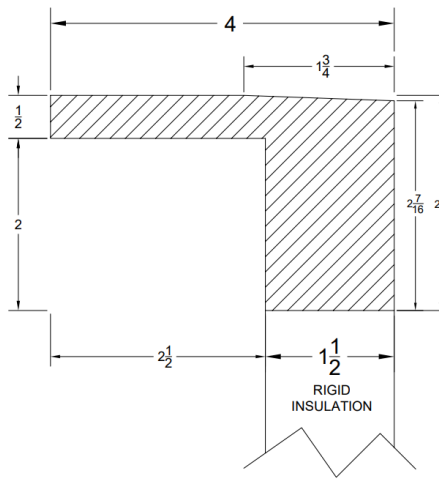
Note:

For additional information please refer to following document, FMA/AAMA/WDMA 500-16 Standard Practice for the Installation of Mounting Flange Windows into Walls Utilizing Foam Plastic Insulation (FPIS) with a Separate Water-Resistive Barrier (WRB). See www.ThermalBuck.com for details.

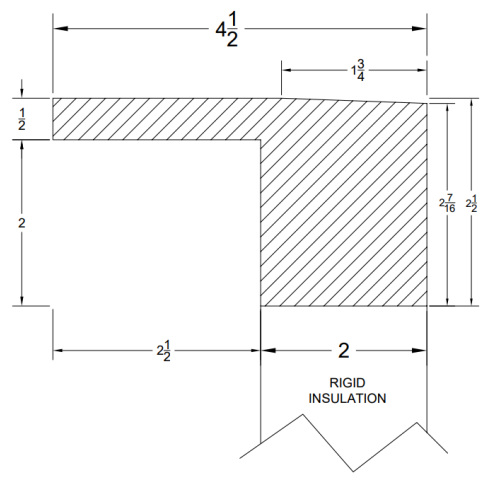
W0510 - 1" ThermalBuck™



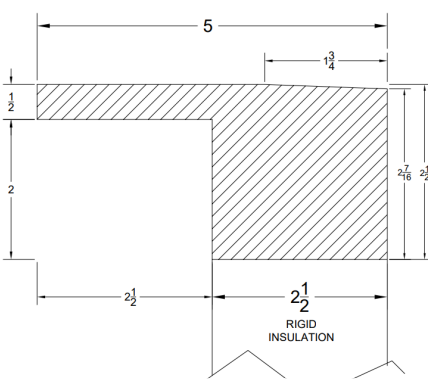
W0515 - 1.5" ThermalBuck™



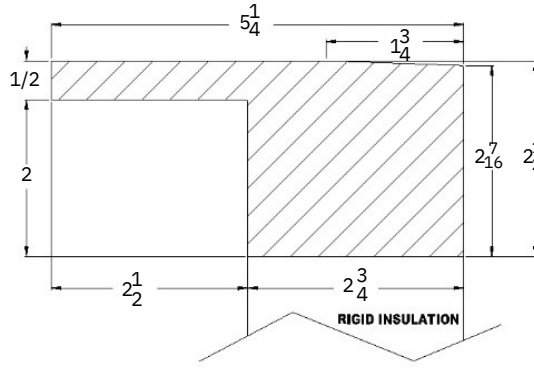
W0520 - 2" ThermalBuck™



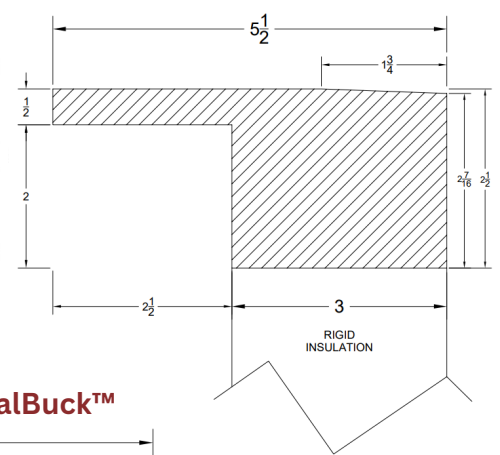
W0525 - 2.5" ThermalBuck™



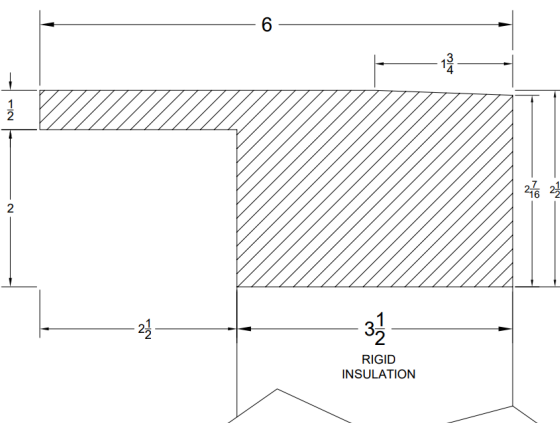
W0275 - 2.5" ThermalBuck™



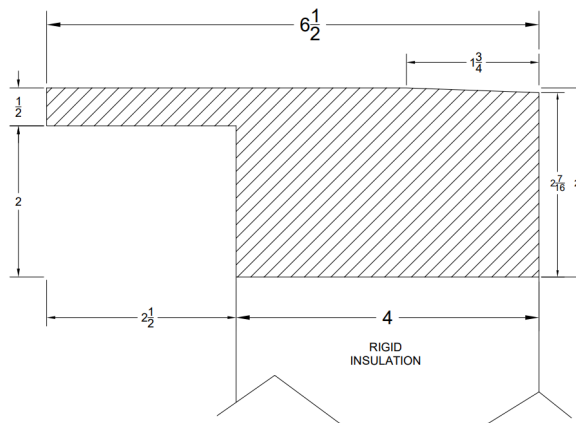
W0530 - 3" ThermalBuck™



W0535 - 3.5" ThermalBuck™



W0540 - 4" ThermalBuck™



For most recent updates, please visit our website at www.brincbp.com
ThermalBuck™ is proudly made in America.

1270 Rte 66, New Bethlehem, PA 16242 | 814-275-5002 | www.brincbp.com
Updated 06/01/2024

BRINC inc. BUILDING PRODUCTS