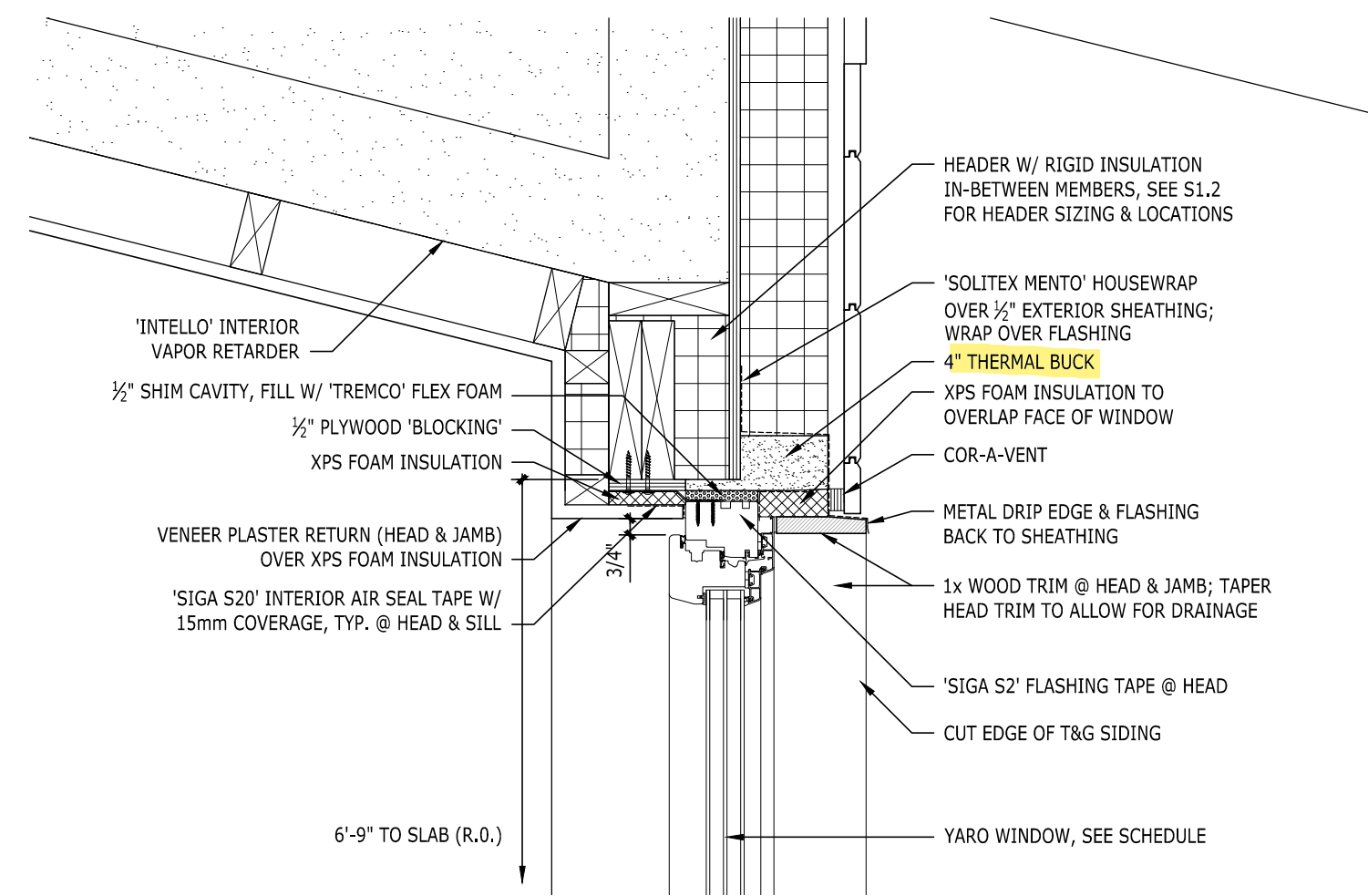
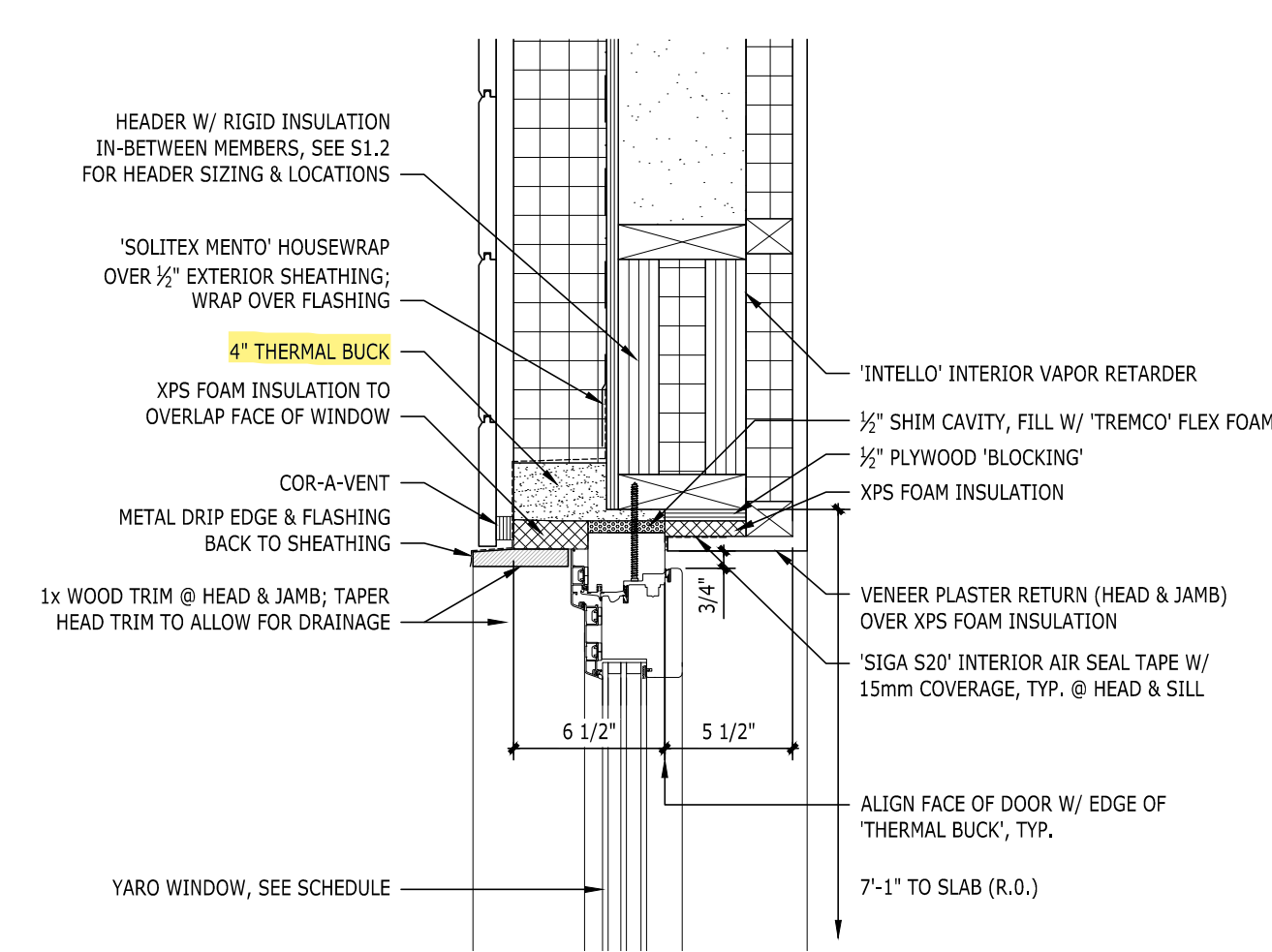


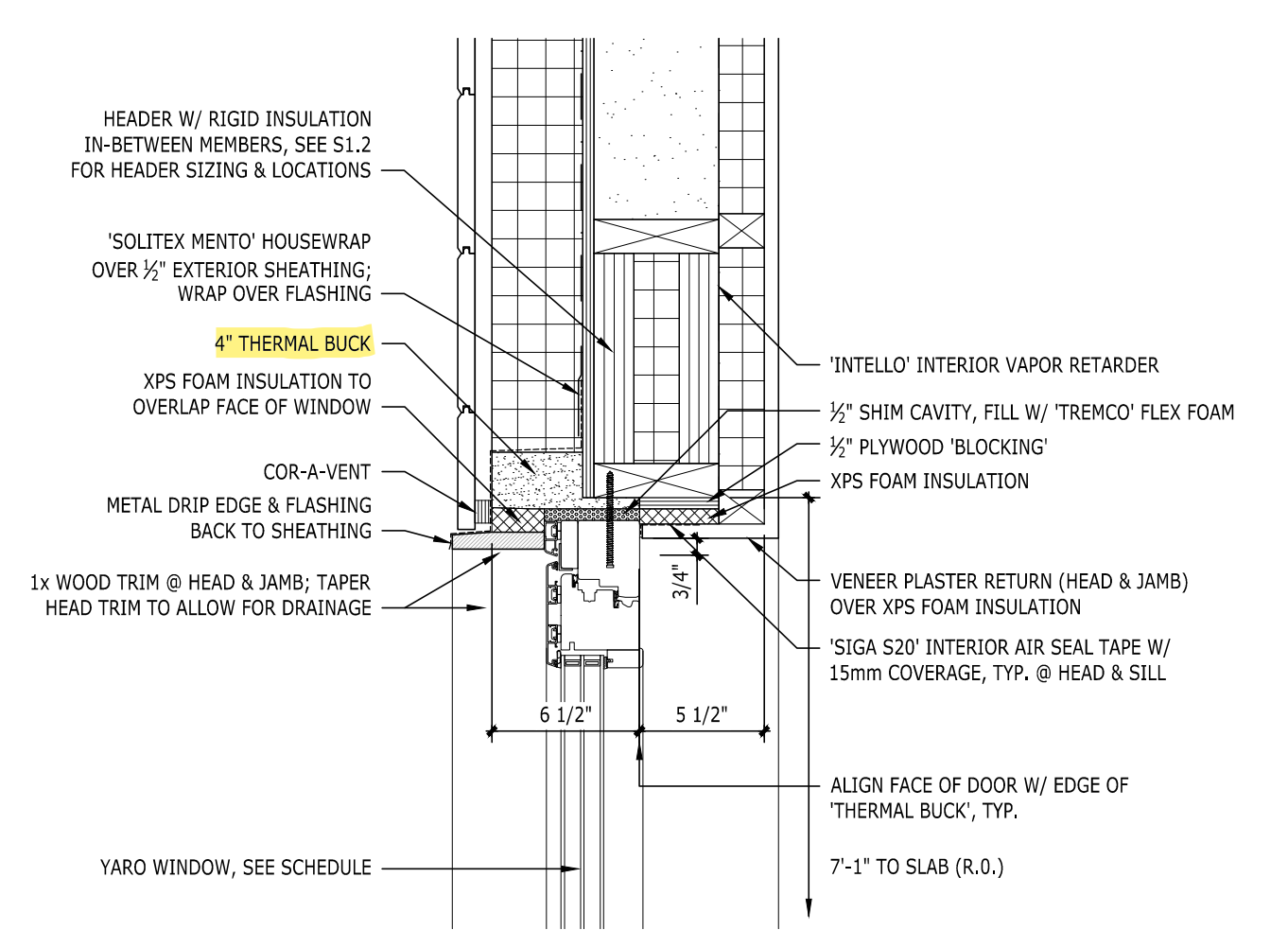
1 TYPICAL WINDOW HEAD DETAIL
1 1/2" = 1'-0"



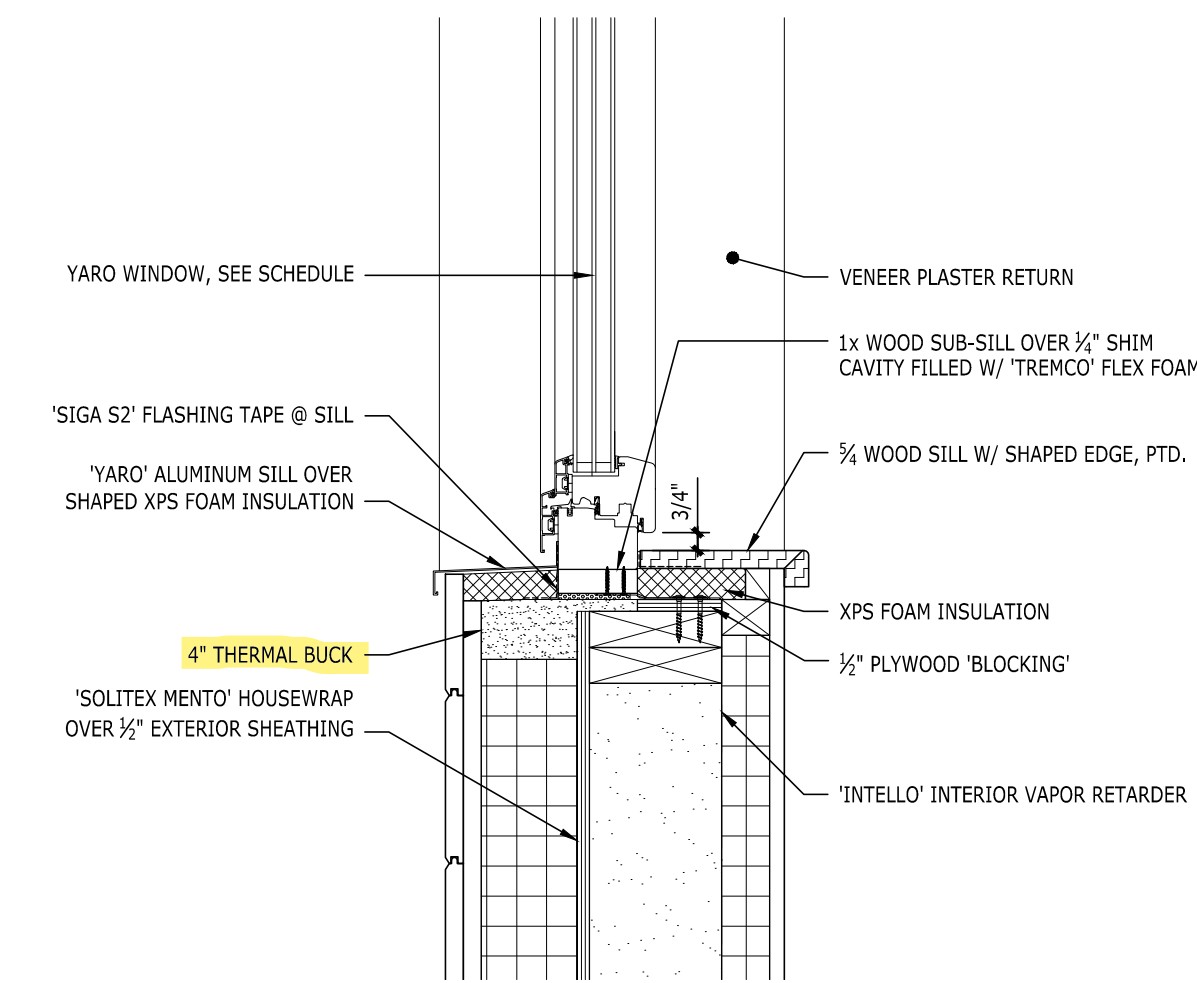
4 TYPICAL WINDOW HEAD DETAIL @ LOW ROOF
1 1/2" = 1'-0"



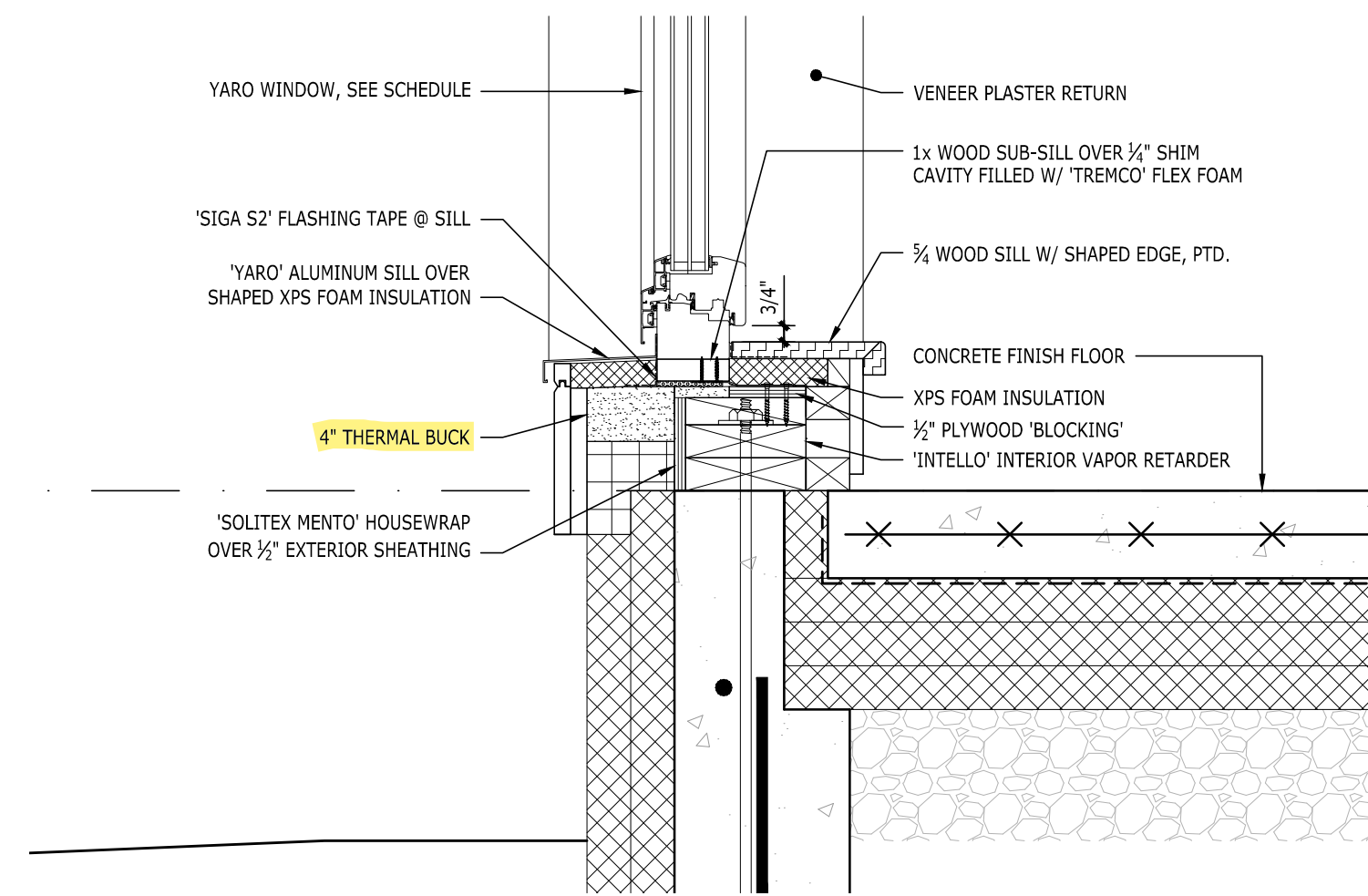
7 TYPICAL DOOR HEAD DETAIL (OPERABLE PANEL) - INSWING DOOR
1 1/2" = 1'-0"



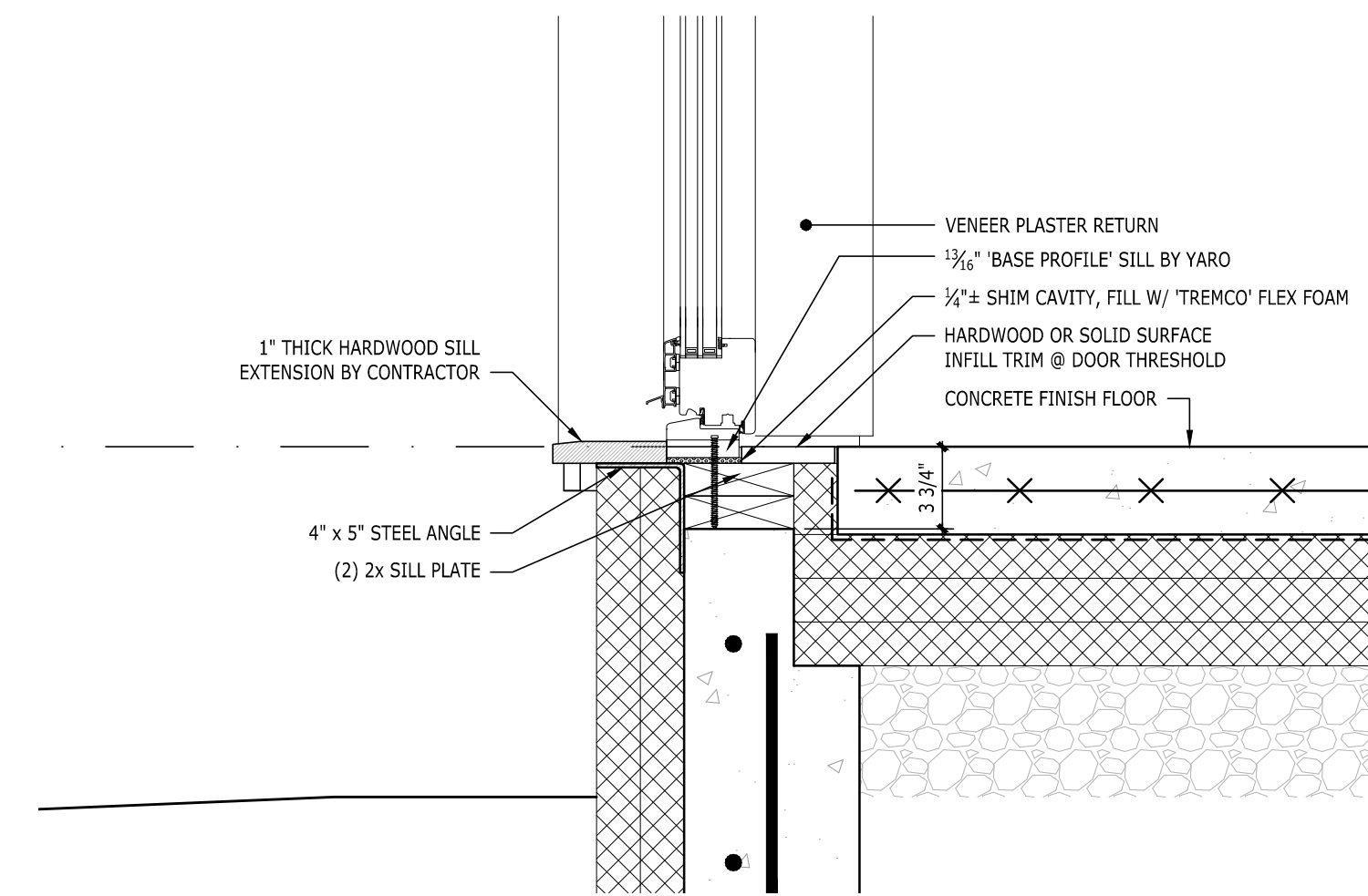
10 TYPICAL DOOR HEAD DETAIL (OPERABLE PANEL) - OUTSWING DOOR
1 1/2" = 1'-0"



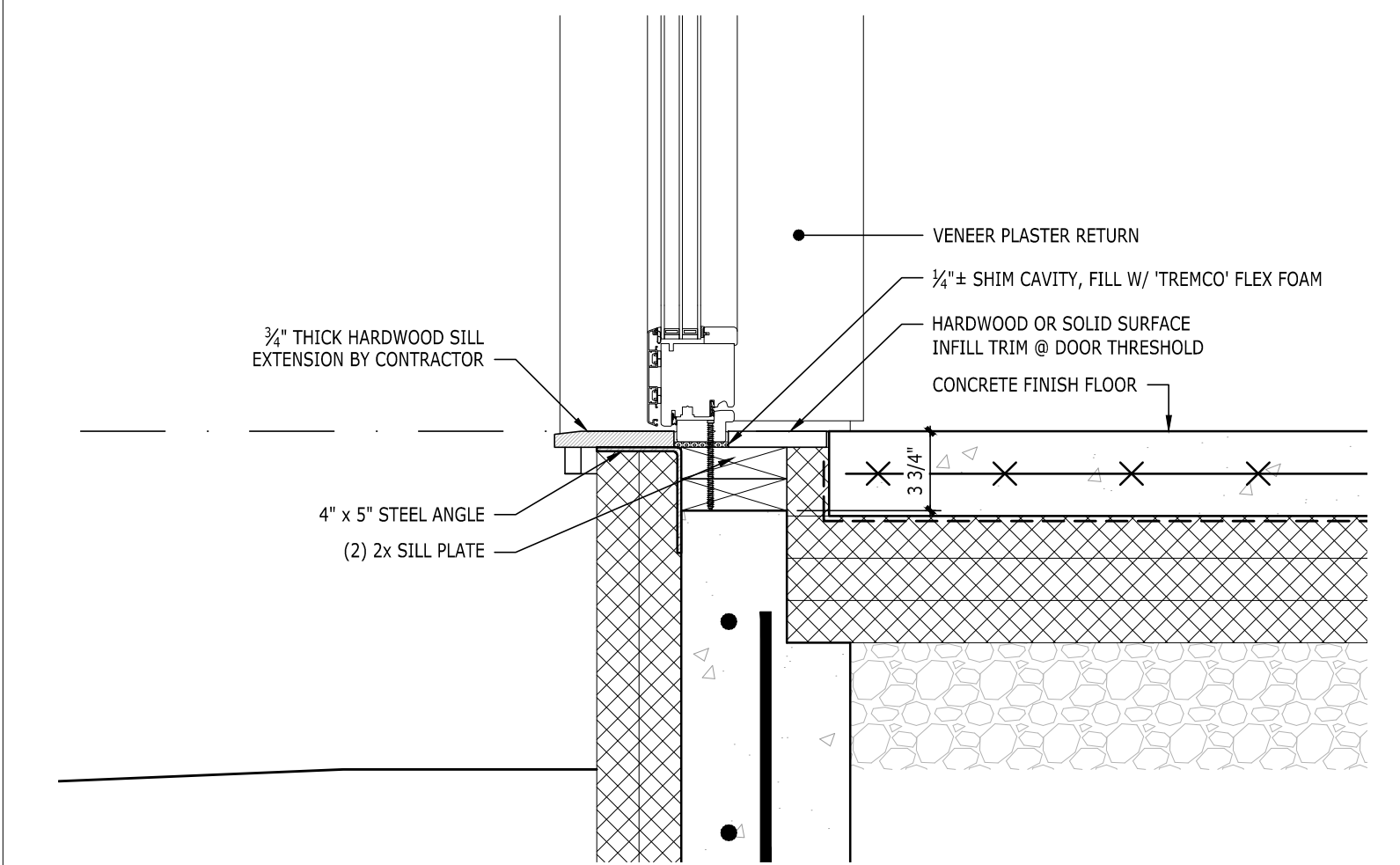
2 TYPICAL WINDOW SILL DETAIL
1 1/2" = 1'-0"



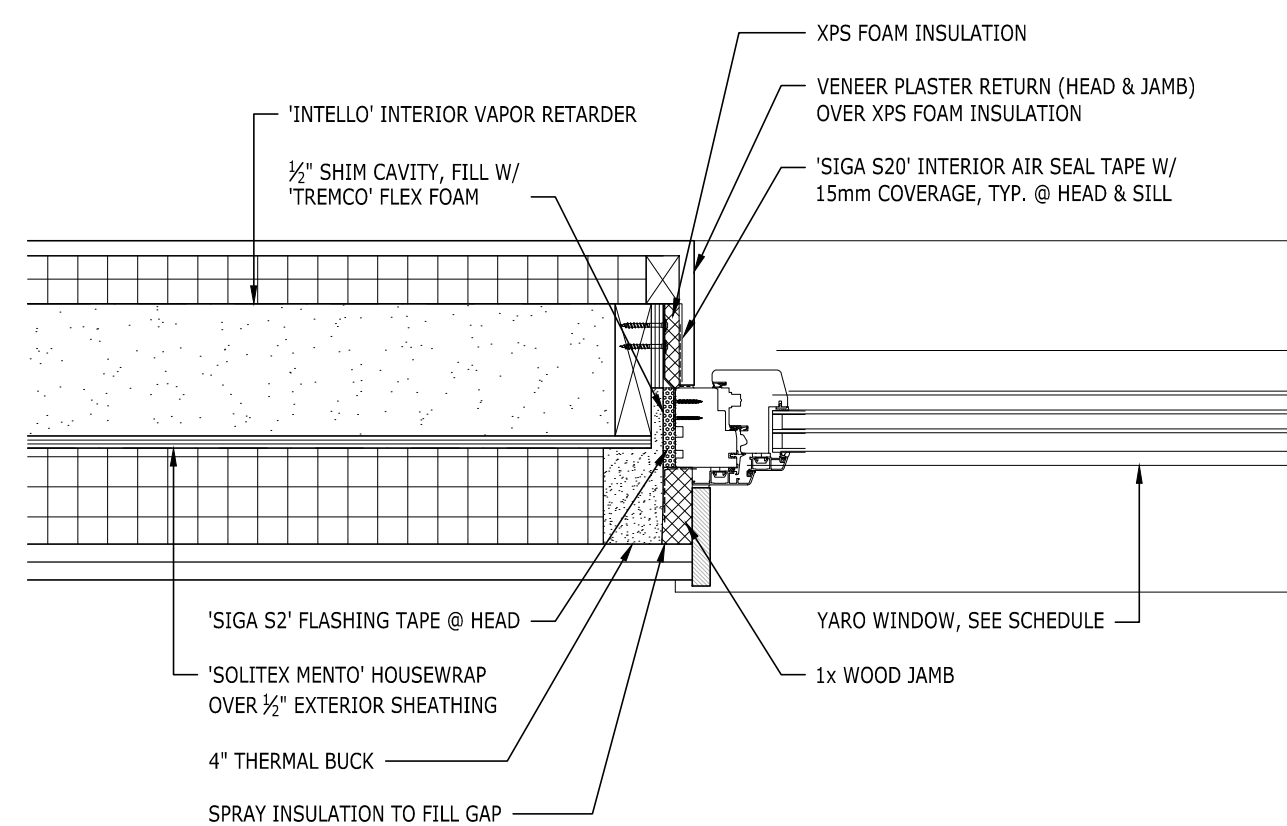
5 TYPICAL WINDOW SILL DETAIL @ MASTER BEDROOM WINDOWS
1 1/2" = 1'-0"



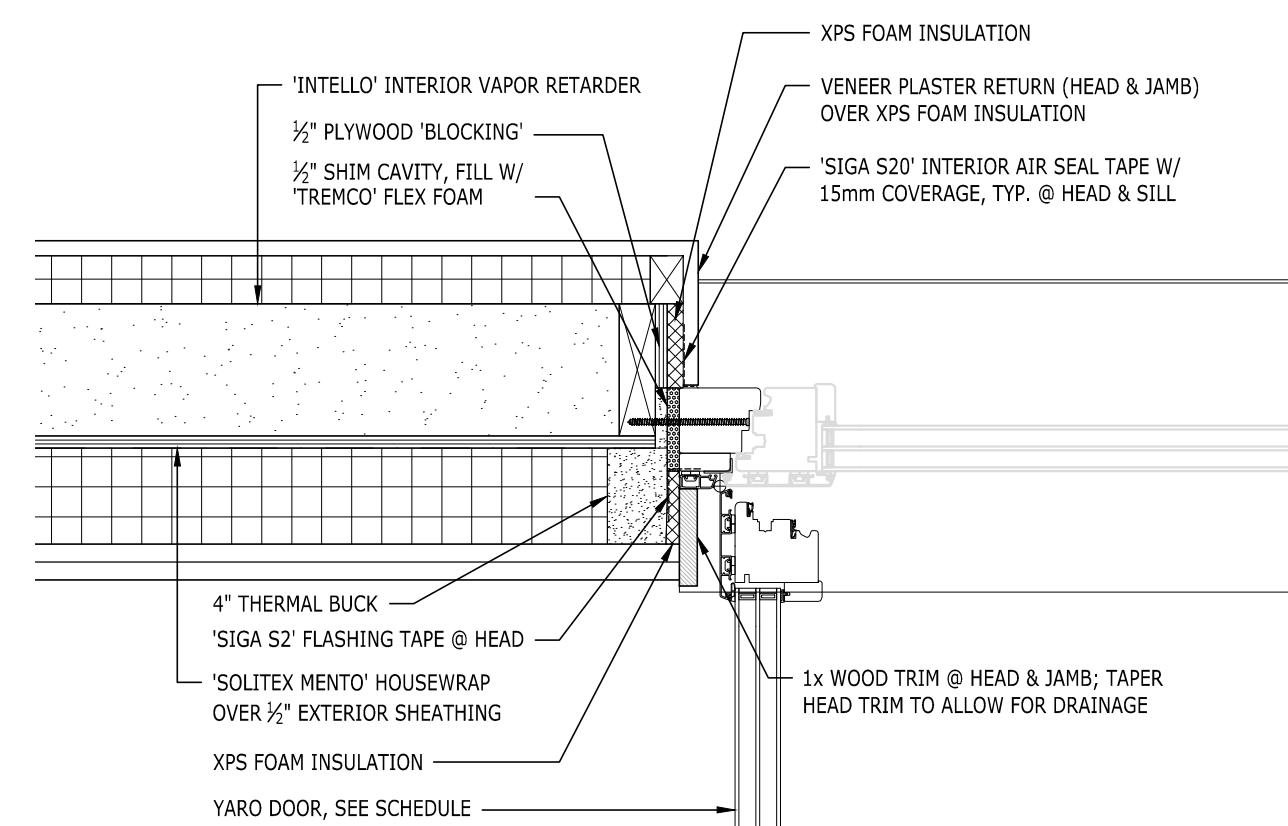
8 TYPICAL DOOR SILL DETAIL (OPERABLE PANEL) - INSWING DOOR
1 1/2" = 1'-0"



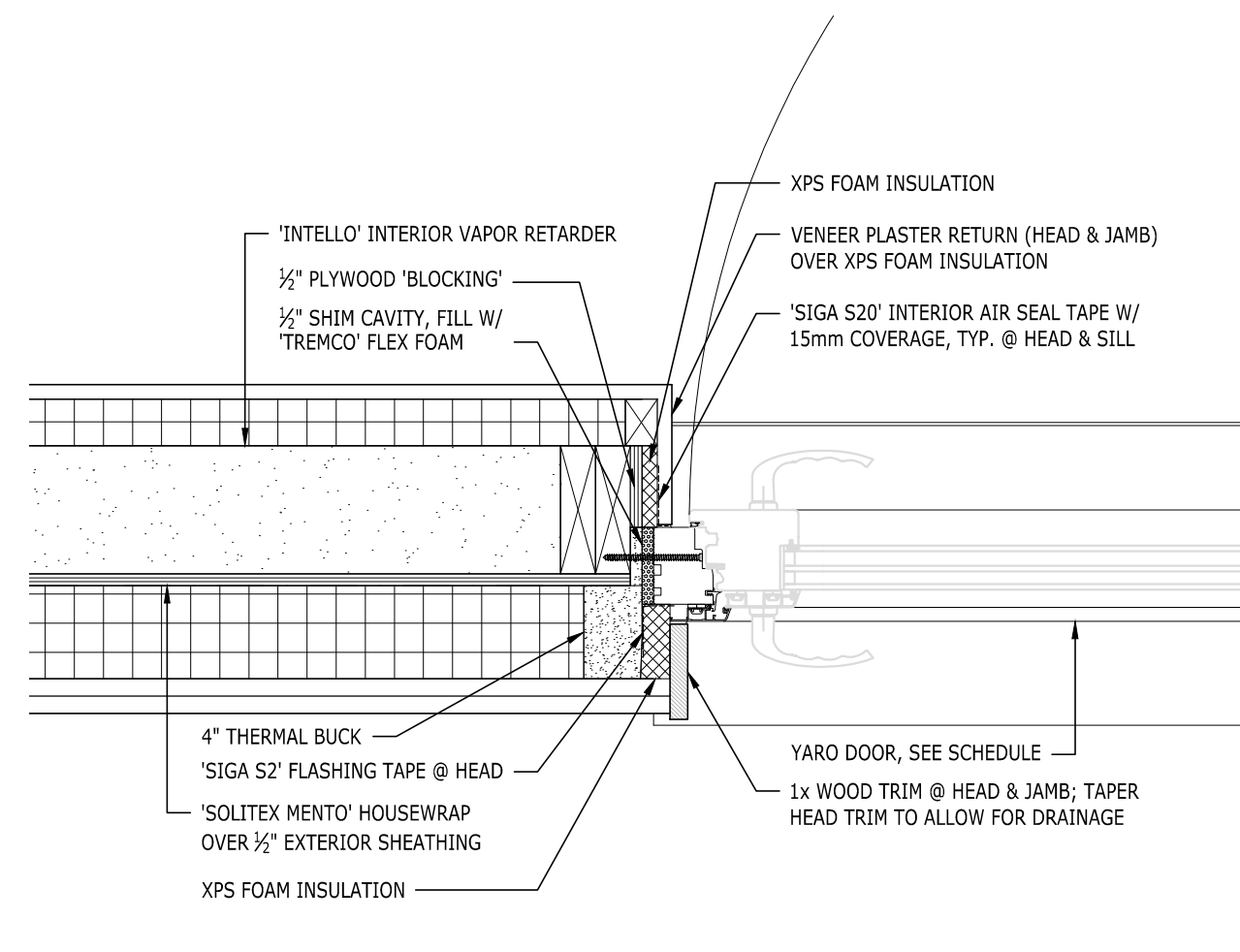
11 TYPICAL DOOR SILL DETAIL (OPERABLE PANEL) - OUTSWING DOOR
1 1/2" = 1'-0"



3 TYPICAL WINDOW JAMB DETAIL
1 1/2" = 1'-0"



6 DOOR JAMB DETAIL @ DOORS #3
1 1/2" = 1'-0"



9 DOOR JAMB DETAIL @ DOOR #4 (OPERABLE PANEL)
1 1/2" = 1'-0"

NOTE:

REFERENCE YARO SHOP DRAWINGS FOR ADDITIONAL NOTES ON SEALANT AND TAPING REQUIREMENTS.

DATE

03.05.18
PERMIT

HARDCASTLE RESIDENCE

SHEET TITLE

WINDOW & DOOR
DETAILS

SHEET NUMBER

A6.2