

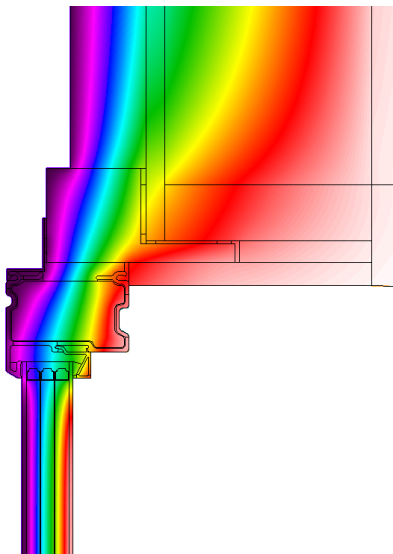
PHIUS-verified Window installation detail

By Alpen High Performance Products and
BRINC Building Products, Inc.

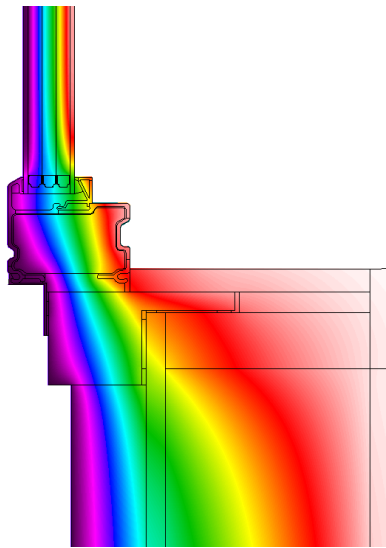


Installation thermal bridge coefficients

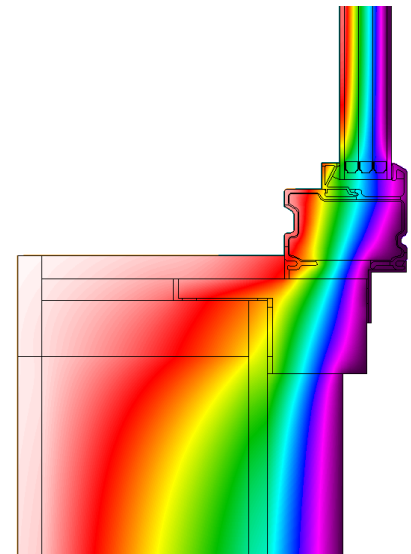
	Linear Ψ Btu/h.ft.°F	Point X (per fastener) Btu/h.°F
Head	0.014	0.0026
Jamb	0.013	0.0026
Sill	0.013	0.0026



Head



Jamb



Sill

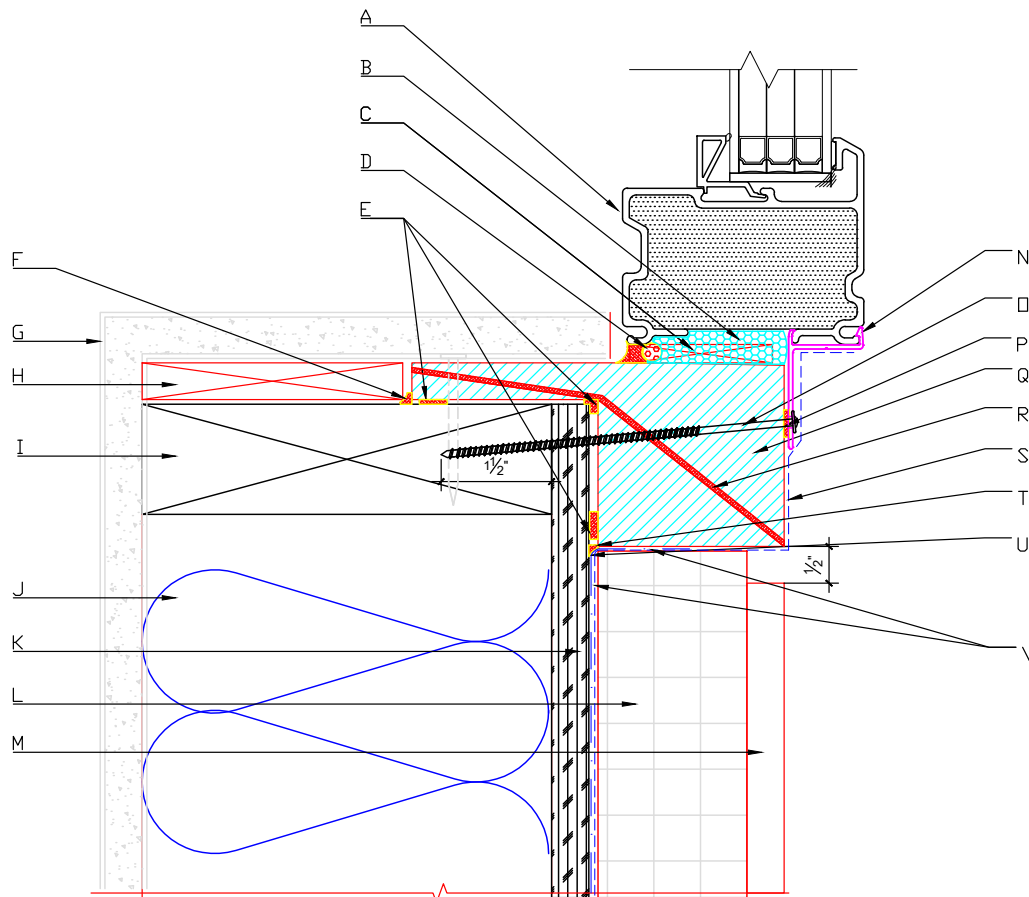


The architectural detail illustrated herein has been verified for air barrier continuity and thermal performance.

JAMB/HEAD – Alpen high profile fixed window with Thermalbuck



ALPEN 925 WITH DOUBLE FILM
- JAMB DETAIL



- A ALPEN 925 WINDOW
- B LOW EXPANSION FOAM
- C 1/4" SHIM
- D DOW 758 SELANT (3/8" BEAD)
- E SEALANT @ THERMABUCK - OSB CONNECTION
- F SEALANT, CONTINUOUS ENTIRE INT. PERIM.
- G 5/8" GYPSUM DRYWALL
- H 1/2" SHIM OR BLOCKING (WOOD OR COMPOSITE)
- I 2X6 FRAMED WALL
- J 5 1/2" CELLULOSE
- K 1/2" OSB

- L 2" RIGID XPS
- M 1/2" FURRING STRIP
- N ALPEN NAIL FIN
- O #10X4" LONG SST NAIL
- P SEALANT BEHIND FIN - CONTINUOUS HEAD & JAMBS
- Q 2.5" THERMABUCK
- R SEALANT @ MITERED CORNERS (FIG 1)
- S FLASHING OVER FIN @ JAMBS ONLY DO NOT FLASH HEAD OR SILL
- T SEALANT BENEATH WRB (CON. @ JAMB & HEAD)
- U WEATHER RESISTANT BARRIER
- V FLASHING OVER WRB & THERMABUCK CONNECTION

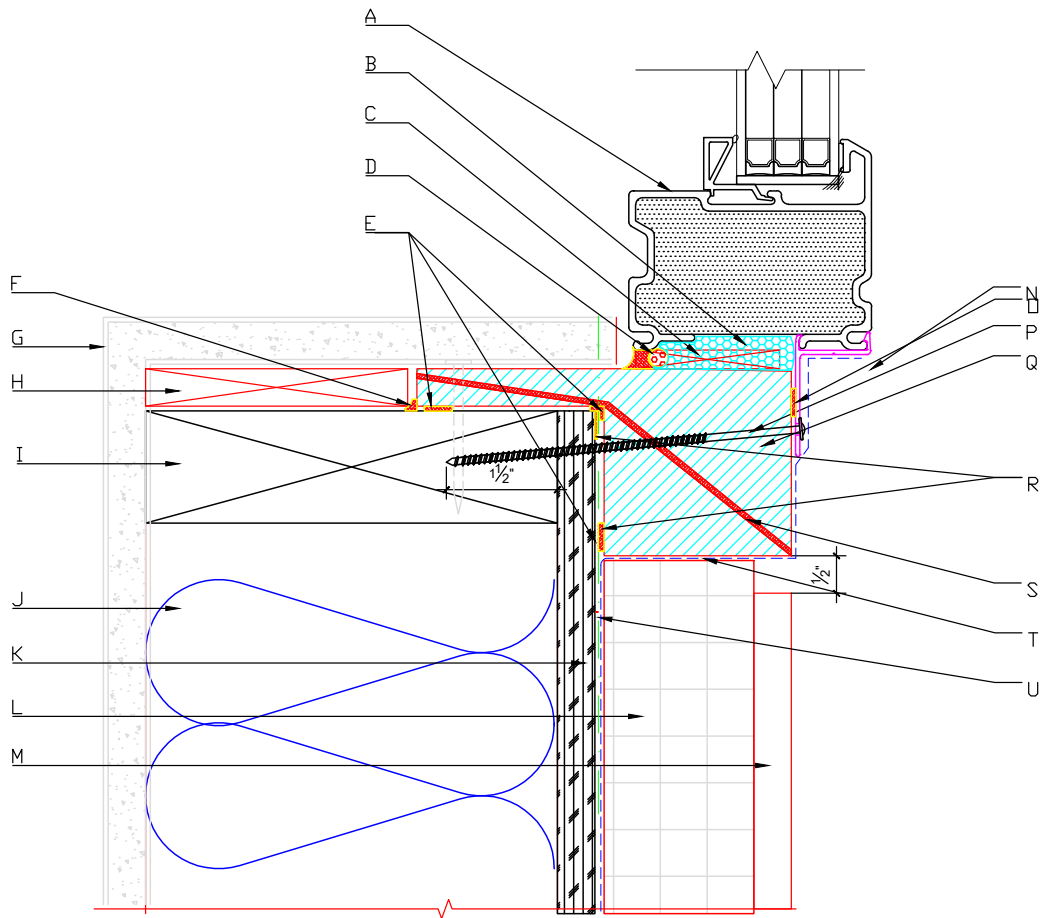
By Alpen High Performance Products and BRINC Building Products, Inc.

The architectural detail illustrated herein has been verified for air barrier continuity and thermal performance.

SILL – Alpen high profile fixed window with Thermalbuck



ALPEN 925 WITH DOUBLE FILM
– SILL DETAIL



- | | | | |
|---|---|---|-----------------------------------|
| A | ALPEN 925 WINDOW | K | 1/2" OSB |
| B | LOW EXPANSION FOAM | L | 2" RIGID XPS |
| C | 1/4" SHIM | M | 1/2" FURRING STRIP |
| D | DOW 758 SELANT (3/8" BEAD) | N | ALPEN NAIL FIN |
| E | SELANT @ THERMABUCK - WRB CONNECTION | O | SELANT BEHIND FIN - DISCONTINUOUS |
| F | SELANT, CONTINUOUS ENTIRE INT. PERIM. | P | #10X6" SST SCREW |
| G | 3/8" GYPSUM DRYWALL | Q | 2.5" THERMABUCK |
| H | 1/2" SHIM OR BLOCKING (WOOD OR COMPOSITE) | R | SELANT (BEHIND WRB & BEHIND BUCK) |
| I | 2X6 FRAMED WALL | S | SELANT @ MITERED CORNERS (FIG 1) |
| J | 5 1/2" CELLULOSE | T | FLASHING |
| | | U | WEATHER RESISTANT BARRIER |

By Alpen High Performance Products and BRINC Building Products, Inc.

The architectural detail illustrated herein has been verified for air barrier continuity and thermal performance.